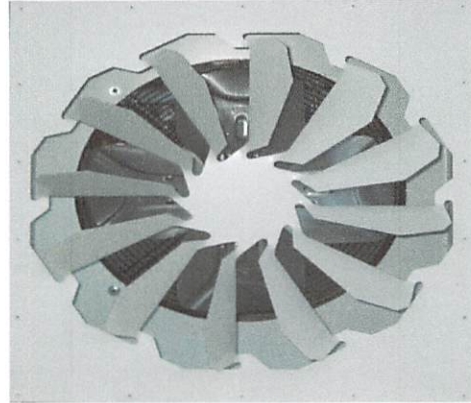
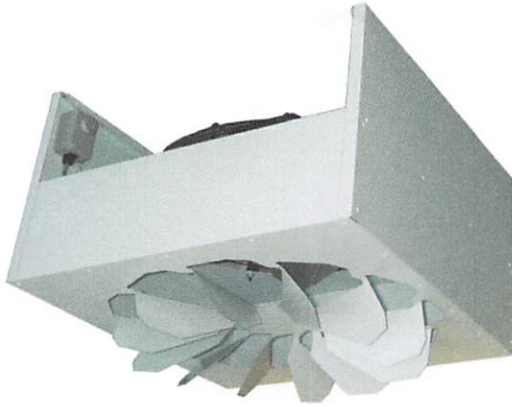


## SDS – Downflow Fans



It is a basic law of physics that hot air rises and in high roofed buildings this will cause a temperature gradient with hot air under the roof and cooler air at floor level.

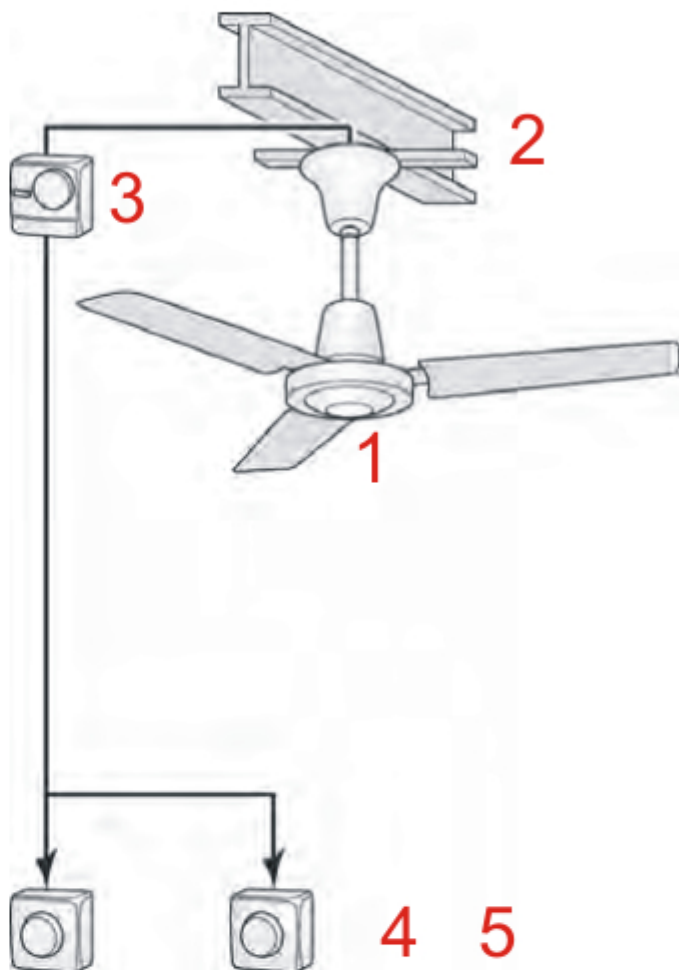
Thermobile SDS Downflow Fans will automatically recirculate high level hot air, reducing Stratification and associated heat losses.

- Heat Recovery
- Unit with low running costs
- Minimum Maintenance
- Fuel savings between 10-20%

Model	Air Flow	Electrical Supply	Electric	Speed Fan	Number of Fans	Mounting Height	Noise Level*	Weight	Length	Width	Height
	m <sup>3</sup> /h	Volts	Watts	Tr/min		Maximum	dB(A)				
SDS 4	3 800	230	320	900	1	4 m	41	18	600	650	400
SDS6	5 800	230	350	900	1	6 m	48	21	600	650	400
SDS10	10 800	230	700	900	2	10 m	51	36	650	1200	400

# THERMOBILE®

11 & 12 Buckingham Close, Bermuda Industrial Estate, Nuneaton Warwickshire CV10 7JT  
 Tel 02476357960 Fax 02476357969 E mail : info@thermobile.co.uk  
 Company Reg No 2839280 vat No GB 620 0890 73



:Fabrication Metal  
 :Colour White  
 :Thermal Protection in built

**DR 12**  
 Blades are designed for destratification

**DR 15**  
 Reversible rotation  
 Cool air circulation in the summer

D R Models		Destratifier DR 12	Destratifier DR 15
Installation Height		4m - 12m	4m - 8m
Air Flow	m <sup>3</sup> /hr	6000	12600
Electric Power	Watts	50	75
Electric supply	Volts	single-phase, neutral & Earth	
Total diametre	mm	1400	1500
Height	mm	370	410
Noise Level	dBa	46	47
Weight	Kg	5.2	8.2
Destratifier	<b>1</b>	£264	£308
Fixation Kit	<b>2</b>	£41	£41
Thermostat	<b>3</b>	£39	£39
Speed controller	<b>4</b>	inc	inc
Speed controller 4 x DR	<b>5</b>	£157	£157

